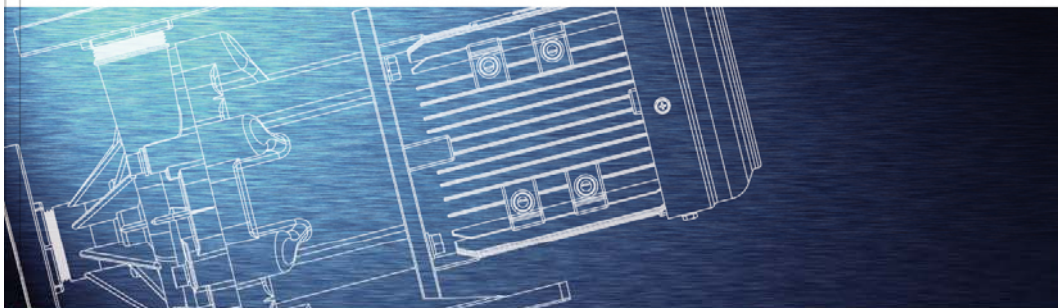


磁力驅動泵浦 MAGNETIC DRIVE PUMP



Expanded fields of application owing to improved corrosion resistance

化工界最頂尖 - 耐酸鹼的權威



日益電機股份有限公司
國寶開發實業有限公司
日勝科技有限公司

ZI YI ELECTRICAL ENGINEERING CO., LTD.
KUOB AO DEVELOPMENT AND ENT CO., LTD.
ZI SHENG TECHNOLOGICAL CO., LTD.

總公司：台灣省台中縣烏日鄉大同五街31號
HEAD OFFICE: NO. 31 Da Tong Str. Wu Zi Village 414,
Taichung County, Taiwan
工廠：台灣省台中縣烏日鄉五光路746巷28號
FACTORY: NO.28, Lane 746, Wuguang Rd., Wu Zi Village 414,
Taichung County, Taiwan
TEL: 886-4-23384262 / 23389123 / 23384675 / 23384142
FAX: 886-4-23375335

北區分公司：台灣省桃園縣龜山鄉忠義路三段199號D棟
TEL: 886-3-3270698 / 3270699 / 3270700
FAX: 886-3-3270697
E-mail: kuobao@so-net.net.tw
http://www.kuobao-intl.com.tw

日益電機（昆山）有限公司
昆山廠：江蘇省昆山市石牌鎮中華路北側
TEL: 0512-57688841 *2 FAX: 0512-57688843

日益電機（東莞）有限公司
廣東廠：廣東省東莞市沙田鎮穗豐年村秋盛工業區
TEL: 0769-88681901 *2 / 88687791 *3 / 88806781 *3
FAX: 0769-88681903

泉州服務站：福建省泉州市清濂工業區德泰路建龍花園B棟505室
TEL: 15960288782 FAX: 0595-22495905

溫州服務站：浙江省溫州市大溪鎮鴻溪花園20幢-單元102室
TEL: 15957753026 FAX: 0576-86180967

寧波服務站：浙江省寧波市滄海路2068弄2號1606室
TEL: 15805862662 FAX: 0574-87928655

天津服務站：天津市北辰區民高路3號延長綠園山花園3幢2號門102室
TEL: 15820276566 FAX: 022-26679510

※版權所有 翻印必究※

CE 認證標記 C1200410 8100



磁力驅動泵浦 MAGNETIC DRIVE PUMP MPX/MPH/MP SERIES



日益電機（股）公司秉持“創新突破，技術領先”為公司理念，矢志鑽研泵浦性能及化學成份，經過專業設計，開發製造各式耐酸鹼泵浦，憑著卓越傑出的經驗與理論基礎，日益電機（股）公司將為您提供創新信賴的泵浦，滿足您不同的使用需求。

日益公司自創立以來，不斷致力國際市場之拓展。多年來，對於國際市場的努力耕耘，目前日益公司已在國際市場上建立綿密的行銷據點，受到廣泛國際客戶的一致推崇，日益電機（股）公司誓要成為品質卓越、世界第一的泵浦新典範。

Based on the company's philosophy of "Innovative Design, Technology Leadership", Zi Yi is totally dedicated to the research of pump performance and chemical composition. For over years we have designed and manufactured a wide range of acid / alkaline resistant pumps. Based on our extensive experience combined with theoretical basis, Zi Yi will provide you the innovative and dependable pumps to meet your specific applications.

Since the company established, Zi Yi has spent great efforts in developing global market. Through the years of efforts, Zi Yi has set up comprehensive sales networks around the world. Zi Yi pumps have been fully satisfied to all customers. Look to future, Zi Yi will keep moving toward the target of becoming a world class pump manufacturer.

A new level of pump performance.

展現泵浦性能新境界



專業顧問

專業泵浦選型諮詢，日益電機（股）公司提供最合適材質及最佳性能的泵浦給客戶，讓客戶更能了解及滿足自己的需求。

創新研發

日益電機（股）公司擁有堅強的研發陣容，追求創新技術的執著精神，不斷改進泵浦性能，以求在市場上提供更加優質的產品。

技術領先

豐富的生產經驗，配合渾厚的專業技術，日益電機（股）公司不斷生產製造出應用範圍最廣泛的耐酸鹼泵浦。

品質卓越

嚴格的品管制度，是日益電機（股）公司的一貫傳統，每一台泵浦在出廠前，都需經過嚴格的品質檢驗，包括泵浦性能、壓力、水量及洩漏等重重試驗，以確保日益泵浦的優異品質。

服務至上

日益電機（股）公司有效率的組織與生產流程，能快速交貨給客戶，並提供最快速、最可信賴的售後服務，不論是在出貨前後都能讓客戶大大滿意。

MPX/MPH/MP SERIES

PROFESSIONAL CONSULTANCY

Zi Yi engineers are ready to help you to select the correct models of pump. Zi Yi provides the most suitable pump materials and the best possible pumps to fully meet your requirements.

INNOVATIVE R&D

At Zi Yi we have outstanding R&D team who are dedicated to pursuing the new technology. In addition, our R&D engineers constantly improve pump performance to provide the best quality pumps for our customers.

TECHNOLOGY LEADERSHIP

With the extensive manufacturing experience and professional technology background, Zi Yi offers the most comprehensive range of acid / alkaline resistant pump.

SUPERIOR QUALITY

Rigorous quality control is a tradition at Zi Yi. Each pump is subject to rigorous quality inspection prior to shipment. The comprehensive tests include pump performance, pressure, flow and leakage, etc. All these tests will ensure the maximum dependability for each pump from Zi Yi.

FOREMOST SERVICE

Zi Yi efficient company organization and production process ensure prompt delivery. Furthermore we also offer the efficient and dependable services before and after sales.

特性 FEATURE

磁力驅動泵浦 MAGNETIC DRIVE PUMP MPX/MPH/MP SERIES

耐酸鹼權威

泵浦材質分為PP(Polypropylene)、GFRPP(Glass Fiber Filled Polypropylene)、PVDF(Natural PVDF)、CFRETFE(Carbon Fiber Filled ETFE)，依藥液酸鹼濃度性質選用泵浦本體材質，因應市場需求，業界首創採用PP泵體材質，以提供更佳的耐酸鹼特性，其中PP/GFRPP可耐溫75°C，PVDF可耐溫90°C，CFRETFE可耐溫100°C，在各種運用需求中，幾乎所有化學藥液均可以被安全的利用傳輸。

Outstanding Acid/Alkaline Resisting Capability

The material of pump body has four kinds to choose from, including PP(Polypropylene), GFRPP(Glass Fiber Filled Polypropylene), PVDF(Natural PVDF), CFRETFE(Carbon Fiber Filled ETFE). Correct choice of pump body material depends on acid / alkaline density of solution. For satisfy the market demand, Zi Yi has been a pioneer to provide the pump that made by pure PP, it also enhance the capability of corrosion resistance. The PP / GFRPP material can resist temperature up to 75 °C. The PVDF material can resist temperature up to 90 °C. The CFRETFE material can resist temperature up to 100 °C. In application almost all solutions can be transferred with safety.

抗腐蝕

泵浦之主要零件均具備優良的抗腐蝕能力，如泵浦軸心材質有陶瓷及SiC，其中陶瓷可用於一般低腐蝕性液體，SiC可抗高腐蝕性液體。

Corrosion Resisting

The major parts of the pump feature outstanding corrosion-resist capability. For example the pump spindle can be made from ceramic and SiC. The ceramic spindle is generally applied for low corrosion liquid. The SiC spindle is excellent for high corrosion liquid.

創新獨特耐空轉設計

獨特的軸承設計，使泵浦運轉時，液體能在葉輪、軸心、軸承及被動磁鐵間循環冷卻，即使泵浦在空轉的情況下，亦不會導致溫度急速上升。

Unique design of Bearing for dry running resistance

Due to the unique design of bearing, while the pump operating that the fluid will be circulated and cooling with the impeller, spindle, bearing and magnet capsule. Although the dry running occur, the temperature will not get higher quickly, to avoid the pump be damaged seriously.



Expanded fields of application
owing to improved corrosion
resistance...

化工界最頂尖 耐酸鹼的權威

裝配簡易

磁力驅動無軸封泵浦內部零件規格化，裝配簡易，結構精巧性能高，在分解組裝過程中不需要任何特殊工具即可輕易更換零件，所以保養、拆卸、檢查均非常容易完成，方便又省時。

Easy to Assemble

The internal parts of a magnetic drive sealless pump are fully standard for easy assembling completely constructed with high performance. Parts replacement is easy to made without need to of any specially tool. It features convenient maintenance, dismantling and inspection for time saving service.

耐久性能高

MP(45W~260W) / MPX(180W~260W)系列裝備的馬達均具備有溫度保護器，防止因過載所產生的高溫導致馬達損壞，MPH(0.37Kw~3.75Kw) / MPX(1.5Kw~2.2Kw)系列採用超強力永久稀土類鐵鍍磁鐵，具有優異性能及耦合能力。

Maximum Durability

The MP(45W~260W) / MPX(180W~260W) series pump motor is equipped with temperature protection device which avoids motor damaged due to high temperature caused by overload. The MPH(0.37Kw~3.75Kw) / MPX(0.37Kw~2.2Kw) series pump employs extra powerful permanent NdFeB magnet featuring outstanding performance and coupling capability.

應用範圍廣泛

磁力驅動無軸封泵浦分為MP系列(45W~260W)，MPH系列(0.37Kw~3.75Kw)及MPX系列(180W~260W, 0.37Kw~2.2Kw)的機型，可運用在低流量/高揚程或高流量/低揚程，針對多種工業製成（如：PCB製程、化學工業、過濾循環、蝕刻、電鍍、表面處理、汙水處理等）之廣泛運用，能發揮極佳的性能及耐用性。

Versatile Applications

The magnetic drive sealless pump provides MP series(45W~260W), MPH series(0.37Kw~3.75Kw) & MPX series(180W~260W, 0.37Kw~2.2Kw) to choose from. They are ideal for low capacity with high head or high capacity with low head applications. Both series are widely applied in various industrial process. Such as PCB process, chemical industry, circulated filtering, etching, plating, surface treatment, polluted water treatment, etc. these pumps assure outstanding performance and maximum durability.

動作原理 WORKING PRINCIPLE

磁力驅動泵浦 MAGNETIC DRIVE PUMP MPX/MPH/MP SERIES

MPX/MPH/MP系列之磁力驅動泵浦，係由裝設於葉輪與馬達軸心間的一對磁鐵所驅動，利用磁鐵異性相吸原理，當馬達帶動驅動磁鐵旋轉時，與葉輪上的被動磁鐵結合產生耦合轉矩，提供足夠的動力驅動葉輪旋轉，從而實現液體之輸送。

無軸封結構並不像傳統離心式泵浦，驅動磁鐵與被動磁鐵之間被耐腐蝕性強的後蓋隔開，可避免洩漏、污染、腐蝕等問題發生。

The MPX / MPH / MP series magnetic drive pump is driven by a pair of magnet, equipped between the impeller and the motor shaft. Based on the principle of different polarity attract each other, when the motor operating to make the drive magnet running, it combines with the magnet capsule on the impeller to produce a coupling torque. This provides sufficient power to start impeller running for delivering liquid.

Unlike the conventional centrifugal pump, the sealless design on the magnetic drive pump has a corrosion-resistant rear casing that separates the drive magnet and the magnet capsule. This may avoid liquid leakage, pollution or corrosion problems.

MPX / MPH SERIES



MP / MPX SERIES



MODEL IDENTIFICATION

型號說明 MODEL IDENTIFICATION

MPX - F - 44 - 0 - C - C - V - 6 - V38 - A

	1	2	3	4	5	6	7	8	9	10
1. 機型編號	MODEL	: MPX				MPH				
2. 泵浦材質	MATERIAL	: PP-PP				F-GFRPP		P-PVDF		E-CFRETFE
3. 出入口徑	IN-OUTLET	: 25-25x25mm				44-40x40mm		45-40x50mm		56-50x65mm
4. 馬力	POWER	: 0-1/2HP	1-1HP			2-2HP	3-3HP	5-5HP		
5. 泵軸材質	SPINDLE	: C-陶磁	CERAMIC			S-碳化矽	SIC			
6. 軸承材質	BEARING	: A-陶磁	CERAMIC			C-碳素	CARBON	P-鐵弗龍	PTFE	S-碳化矽
7. 橡膠材質	RUBBER	: V-VITON				E-EPDM		P-PFA		
8. 頻率	FREQUENCY	: 5-50Hz				6-60Hz				
9. 電壓	VOLTAGE	: V38-220V/380V/3Ø				V41-280V/415V/3Ø		V44-240V/440V/3Ø		
10. 藥液比重	SPECIFIC WEIGHT	: 50Hz →	A-1.2			B-1.5	C-2.0			
		60Hz →	D-1.2			E-1.5	F-2.0			

型號說明 MODEL IDENTIFICATION

MP - F - 25 - 8 - S - C - V - 6 - V38

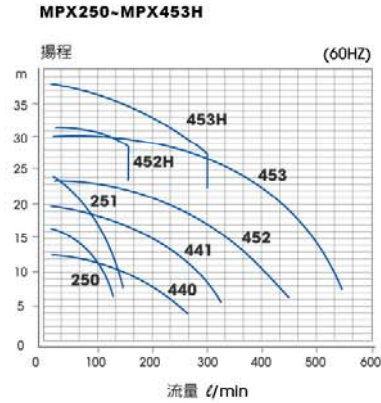
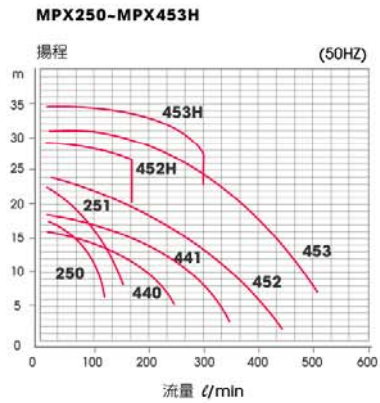
	1	2	3	4	5	6	7	8	9
1. 機型編號	MODEL	: MP				MPX			
2. 泵浦材質	MATERIAL	: PP-PP			F-GFRPP	P-PVDF		E-CFRETFE	
3. 出入口徑	IN-OUTLET	: 20-3/4"				25-1"			
4. 馬力	POWER	: 3-45W	4-65W			5-90W	7-180W	8-260W	
5. 出入連接	CONNECTION	: S-牙口	SCREW			H-軟管	HOSE		
6. 泵軸材質	SPINDLE	: C-陶磁	CERAMIC			S-碳化矽	SIC		
7. 橡膠材質	RUBBER	: V-VITON	E-EPDM			P-PFA			
8. 頻率	FREQUENCY	: 5-50Hz				6-60Hz			
9. 電壓	VOLTAGE	: V11-110V/1Ø				V22-220V/240V/1Ø		V41-208V/415V/3Ø	
		V38-220V/380V/3Ø							

性能曲線圖/規格
PERFORMANCE CURVE CHART
SPECIFICATIONS

磁力驅動泵浦
MAGNETIC DRIVE PUMP
MPX/MPH/MP SERIES

MPX SERIES

性能曲線圖 **PERFORMANCE CURVE CHART**



MPX SERIES

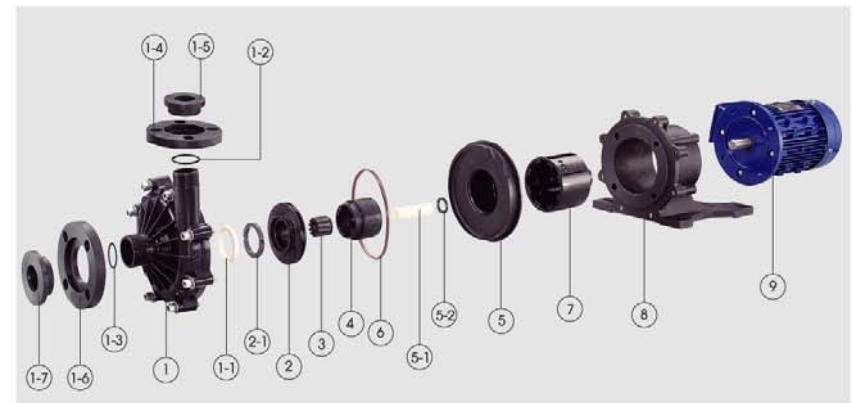
規格 **SPECIFICATIONS**

MODEL		MPX-250	MPX-251	MPX-440	MPX-441	MPX-452	MPX-452H	MPX-453	MPX-453H
比重限制 S.G.		1.0	1.0	1.2	1.2	1.2	1.0	1.2	1.0
出入口徑 In-Outlet Diameter	入口 IN (mm)	25	25	40	40	50	50	50	50
	出口 OUT (mm)	25	25	40	40	40	40	40	40
全流量 Max. Capacity	50Hz (L/min)	120	140	260	320	450	160	500	300
	60Hz (L/min)	120	140	260	320	450	160	500	300
全揚程 Max. Head	50Hz (M)	17.5	22.5	15.5	17.5	23.5	31	31	35
	60Hz (M)	16.5	24	12.5	19	23.5	30	30	36.5
標準輸出量 Standard Duty Point	50Hz (M-L/min)	14-50	19-70	13.5-100	14.5-150	20-250	28-100	23-250	34-100
	60Hz (M-L/min)	13.5-50	19-75	11-100	14.5-190	20-240	30-100	25-250	35-100
馬達 Motor	輸出功率 Output (KW)	0.37	0.75	0.37	0.75	1.50	1.50	2.20	2.20
重量 Weight		11.7	16.0	11.0	16.0	22.5	22.50	24.0	24.0



MPX SERIES

零件圖表 **CONSTRUCTION**



NO	零件名稱 Description	材質 Material										
		MPX-PP Series		MPX-F Series		MPX-P Series		MPX-E Series				
		CC	CP	CA	CC	CP	CA	CC	CP	CA	SS	SS
1	前蓋 Front Casing	PP			CFRPP				PVDF			CFRETFE
1-1	前蓋止推環 Front Thrust Ring							Ceramic				SIC
1-2	出口O環 Outlet O-ring	EPDM / VITON / PFA										
1-3	入口O環 Inlet O-ring	EPDM / VITON / PFA										
1-4	出口法蘭 Outlet Flange											
1-5	出口法蘭固定器 Outlet Flange Fasten Screw											
1-6	入口法蘭 Inlet Flange	PP			CFRPP				PVDF			CFRETFE
1-7	入口法蘭固定器 Inlet Flange Fasten Screw											
2	葉輪 Impeller	CFRPP										
2-1	前磨機 Mouth Ring	PTFE										
3	軸承 Bearing	Carbon	PTFE	Ceramic	Carbon	PTFE	Ceramic	Carbon	PTFE	Ceramic		SIC
4	被動磁鐵 Magnet Capsule											
5	後蓋 Rear Casing				PP				PVDF			CFRETFE
5-1	軸心 Spindle	Ceramic										
5-2	後蓋止推環 Rear Thrust Ring	CFRPPS										
6	密封O環 O-ring	EPDM / VITON / PFA										
7	驅動磁鐵 Drive Magnet	Isotropic Ferrite										
8	腳座 Baseplate	CFRPP										
9	馬達 Motor											

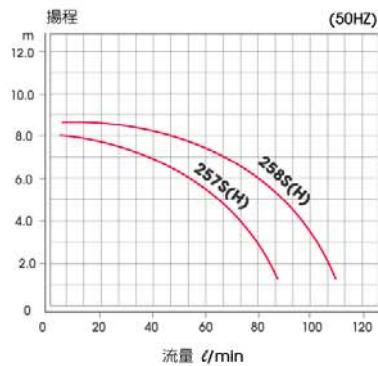
規格 / 性能曲線圖
SPECIFICATIONS
PERFORMANCE CURVE CHART

磁力驅動泵浦
MAGNETIC DRIVE PUMP
MPX/MPH/MP SERIES

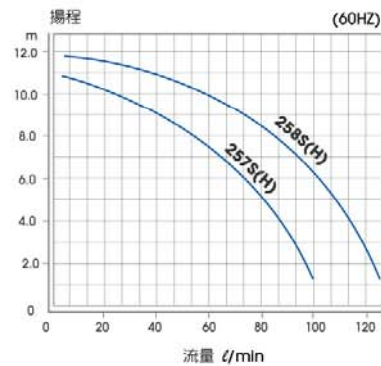
MPX SERIES

性能曲線圖 PERFORMANCE CURVE CHART

MPX257-MPX258



MPX257-MPX258



MPX SERIES

規格 SPECIFICATIONS

MODEL		MPX-257S(H)	MPX-258S(H)
比重限制 S.G.			
套管式口徑 Hose Connected	入口 IN (mm)	25	25
	出口 OUT (mm)	25	25
外身式口徑 Screwed Diameter	入口 IN (inch)	1	1
	出口 OUT (inch)	1	1
全流量 Max. Capacity	50Hz (L/min)	90	110
	60Hz (L/min)	100	125
全揚程 Max. Head	50Hz (M)	8.0	8.6
	60Hz (M)	10.8	11.8
標準輸出量 Standard Duty Point	50Hz (M-L/min)	5.4-50	6-70
	60Hz (M-L/min)	7.8-50	9-70
馬達 Motor 50Hz/60Hz	輸出功率 Output (KW)	150/180	260/260
	相數 Phase (ϕ)	1 or 3	1 or 3
重量 Weight		6.4	8.6

CONSTRUCTION

MPX SERIES

零件圖表 CONSTRUCTION



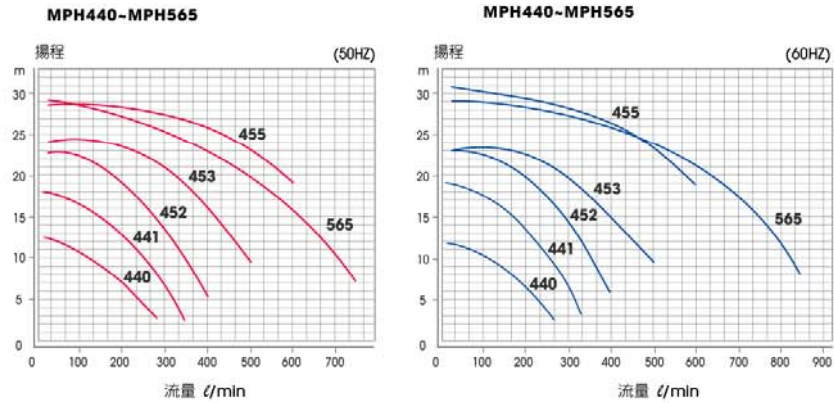
NO	零件名稱 Description	材質 Material			
		MPX-PP Series	MPX-F Series	MPX-P Series	MPX-E Series
1	前蓋 Front Casing	PP	CFRPP	PVDF	CFRETFE
1-1	軸承 Bearing	Rulon / CFRPPS		Rulon / SIC	SIC
1-2	止推環 Thrust Ring	Ceramic		Ceramic / SIC	
2	葉輪 Impeller	CFRPP		PVDF	CFRETFE
2-1	削磨圈 Mouth Ring	Rulon			
2-2	軸承 Bearing	Rulon / CFRPPS		Rulon / SIC	SIC
3	軸心 Spindle	Ceramic		Ceramic / SIC	
4	後蓋 Rear Casing	PP	CFRPP	PVDF	CFRETFE
5	後蓋鐵圈 Retainer Ring	SUS 304			
6	密封O環 O-ring	EPDM / VITON / PFA			
7	驅動磁鐵 Drive Magnet	Isotropic Ferrite			
8	馬達 Motor				

規格 / 性能曲線圖
SPECIFICATIONS
PERFORMANCE CURVE CHART

磁力驅動泵浦
MAGNETIC DRIVE PUMP
MPX/MPH/MP SERIES

MPH SERIES

性能曲線圖 PERFORMANCE CURVE CHART



MPH SERIES

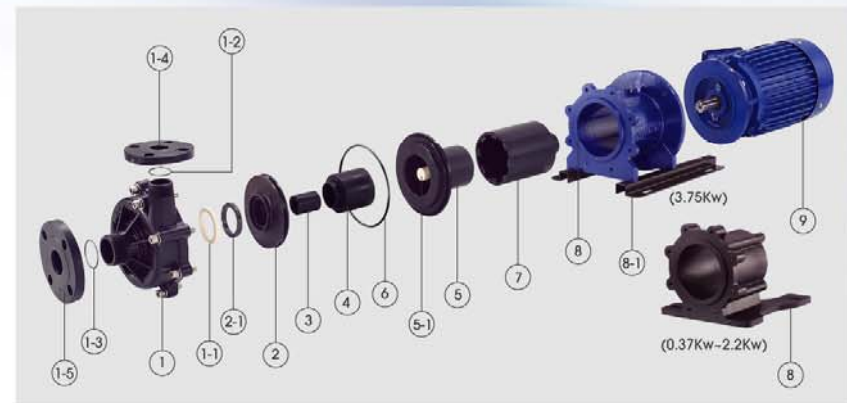
規格 SPECIFICATIONS

MODEL		MPH-440	MPH-441	MPH-452	MPH-453	MPH-455	MPH-565
比重限制 S.G.		1.0	1.0	1.2	1.2	1.0	1.0
出入口徑 In-Outlet Diameter	入口 IN (mm)	40	40	50	50	50	65
	出口 OUT (mm)	40	40	40	40	40	50
全流量 Max. Capacity	50Hz (L/min)	280	330	400	500	600	730
	60Hz (L/min)	280	320	400	500	600	800
全揚程 Max. Head	50Hz (M)	12.5	18	23	24	29	28.6
	60Hz (M)	11.5	18.5	22	22.5	31	29.4
標準輸出量 Standard Duty Point	50Hz (M-L/min)	8.5-150	12-200	18.5-200	20.5-300	25.5-400	18.5-500
	60Hz (M-L/min)	8.5-150	12.5-200	18.5-200	19-300	26.5-400	22.0-500
馬達 Motor	輸出功率 Output (KW)	0.37	0.75	1.50	2.20	3.75	3.75
重量 Weight		11.5	18.0	23.0	24.8	47.3	48.5

CONSTRUCTION

MPH SERIES

零件圖表 CONSTRUCTION



NO	零件名稱 Description	材質 Material									
		MPH-PP Series			MPH-F Series			MPH-P Series		MPH-E Series	
		CC	CP	CA	CC	CP	CA	CC	CP	CA	SS
1	前蓋 Front Casing	PP			GFRPP			PVDF		CFRETFE	
1-1	止推環 Thrust Ring	Ceramic									
1-2	出口O環 Outlet O-ring	EPDM / VITON / PFA									
1-3	入口O環 Inlet O-ring	EPDM / VITON / PFA									
1-4	出口法蘭 Outlet Flange	PP			GFRPP			PVDF		CFRETFE	
1-5	入口法蘭 Inlet Flange	PP			GFRPP			PVDF		CFRETFE	
2	葉輪 Impeller	CFRPP									
2-1	耐磨齒 Mouth Ring	PTFE									
3	軸承 Bearing	Carbon	PTFE	Ceramic	Carbon	PTFE	Ceramic	Carbon	PTFE	Ceramic	SIC
4	被動磁鐵 Magnet Capsule	PP									
5	後蓋 Rear Casing	PP			GFRPP			PVDF		CFRETFE	
5-1	軸心 Spindle	Ceramic									
6	密封O環 O-ring	EPDM / VITON / PFA									
7	驅動磁鐵 Drive Magnet	Isotropic Ferrite									
8	底座 Baseplate	CFRPP / FC									
8-1	腳架 Frame	SUS									
9	馬達 Motor										

規格 / 性能曲線圖
SPECIFICATIONS
PERFORMANCE CURVE CHART

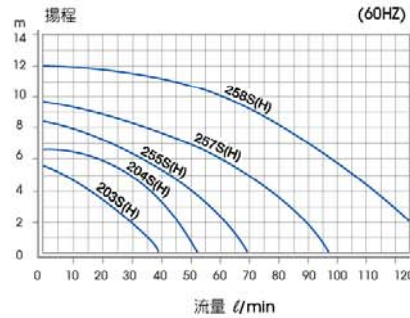
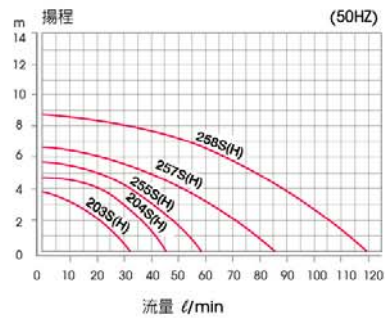
磁力驅動泵浦
MAGNETIC DRIVE PUMP
MPX/MPH/MP SERIES

MP SERIES

性能曲線圖 PERFORMANCE CURVE CHART

MP203-MP258

MP203-MP258



MP SERIES

規格 SPECIFICATIONS

MODEL		MP-203S(H)	MP-204S(H)	MP-255S(H)	MP-257S(H)	MP-258S(H)
比重限制 S.G.		1.5	1.1	1.2	1.0	1.2
套管式口徑 Hose Connected	入口 IN (mm)	20	20	26	26	26
	出口 OUT (mm)	20	20	26	26	26
外牙式口徑 Screwed	入口 IN (inch)	3/4	3/4	1	1	1
	出口 OUT (inch)	3/4	3/4	1	1	1
全流量 Max. Capacity	50Hz (L/min)	32	45	60	86	120
	60Hz (L/min)	38	52	70	97	135
全揚程 Max. Head	50Hz (M)	3.8	4.6	5.6	6.7	8.6
	60Hz (M)	5.4	6.5	8.2	9.7	11.9
標準輸出量 Standard Duty Point	50Hz (M-L/min)	2.5-16	4-22	4-30	4-50	6.5-60
	60Hz (M-L/min)	2.5-24	4-34	4-45	4-72	9-70
馬達 Motor 50Hz/60Hz	輸出功率 OUTPUT (KW)	45	65	90	150 / 180	255 / 265
	輸入功率 INPUT (KW)	60 / 80	90 / 130	130 / 170	210 / 300	245 / 365
	相數 PHASE (Ø)	1	1	1 or 3	1 or 3	1 or 3
重量 Weight		4.0	4.3	5.0	6.3	7.9

MP SERIES

零件圖表 CONSTRUCTION



NO	零件名稱 Description	材質 Material			
		MP-PP Series	MP-F Series	MP-P Series	MP-E Series
1	前蓋 Front Casing	PP	GFRPP	PVDF	CFRETFE
1-1	軸承 Bearing	Rulon / CFRPPS		Rulon / SiC	SiC
1-2	止推環 Thrust Ring	Ceramic		Ceramic / SiC	
2	葉輪 Impeller	PP		PVDF	CFRETFE
2-1	前隔圈 Mouth Ring	Rulon			
2-2	軸承 Bearing	Rulon / CFRPPS		Rulon / SiC	SiC
3	軸心 Spindle	Ceramic		Ceramic / SiC	
4	後蓋 Rear Casing	PP	GFRPP	PVDF	CFRETFE
5	後蓋鐵圈 Retainer Ring	SUS 304			
6	密封O環 O-ring	EPDM / VITON / PFA			
7	驅動磁鐵 Drive Magnet	Isotropic Ferrite			
8	馬達 Motor				

重要零件特色/內部剖面圖 INTERIOR PARTS FEATURES OF CRITICAL PARTS

磁力驅動泵浦 MAGNETIC DRIVE PUMP MPX/MPH/MP SERIES

前蓋

MPX / MPH / MP 系列的泵浦前蓋，係以耐酸腐蝕材料一體充模形成，MPX / MPH 前蓋的出入口為牙口式，可依需求選擇銜接法蘭或由任；MP 前蓋的出入口為牙口式及套管式，可依需求選擇銜接由任或軟管。

軸承

榮獲國際專利的軸承設計，迅速的散熱效果提升了泵浦可耐空轉性能，材質有 CARBON、PTFE、CERAMIC 及 SIC，依據藥液特性，搭配泵體材質加以選用，以適合於各種工業製程上。

葉輪

葉輪的材質採用耐酸鹼的 PP、GFRPP、CFRPP、PVDF、CFRETFE，葉輪的尺寸係依據藥液比重和電壓頻率所設計，以達成所需的表現及性能。

後蓋

MPX / MPH / MP 系列的泵浦後蓋係以耐腐材料一體充模形成，馬達與泵腔內部被後蓋加以隔開，可避免洩漏污染環境的問題發生。

FRONT CASING:

The front casing of MPX / MPH / MP series pump is integral molded by corrosion-resistant material. The front casing on MPX / MPH series is screwed for connecting with a flange or union. The front casing on MP series is screwed or hose type for connecting with a union or flexible hose.

BEARING:

Patented design of bearing which the capability of spread heat rapidly can provide good dry running resistance. The bearing provide various materials to choose from, such as carbon, PTFE, ceramic and SIC to suit various types of liquid, properly select bearing material combined with correct pump body material according to your industrial processing.

IMPELLER:

The impeller is manufactured from acid / alkaline resistant PP, GFRPP, CFRPP, PVDF or CFRETFE material. Impeller sizes are designed according to solution specific weight, voltage and frequency to achieve the outstanding performance.

REAR CASING:

The rear casing of MPX / MPH / MP series pump is integral molded by corrosion-resistant material. The motor and pump interior are separated by the rear casing to eliminate environmental pollution problem caused by liquid leakage.

密封 O 環

密封 O 環的材質採用 EPDM、VITON 及 PFA，具有優良的抗腐蝕性。

被動磁鐵

裝設於葉輪上，超強磁鐵完全密封在塑料材質內，可防止鏽蝕，並提供足夠的轉矩。

驅動磁鐵

裝設於馬達軸心上，驅動磁鐵的超強磁性與葉輪上的被動磁鐵產生耦合轉矩，進而驅動葉輪轉動。

馬達

MP(45W~260W) / MPX(180W~260W) 系列均採用過熱保護裝置，MPX(0.37Kw~2.2Kw) / MPH(0.37Kw~3.75Kw) 系列採用全閉式扇內式，可依客戶需求選用更高防爆等級馬達。

O-RING:

The EPDM, VITON and PFA O-ring features outstanding corrosion resistance.

MAGNET CAPSULE:

The magnet capsule is mounted on the impeller, the extra powerful magnet is totally enclosed in the plastic material to avoid rusting or corrosion. And the driven magnet can provide sufficient torque.

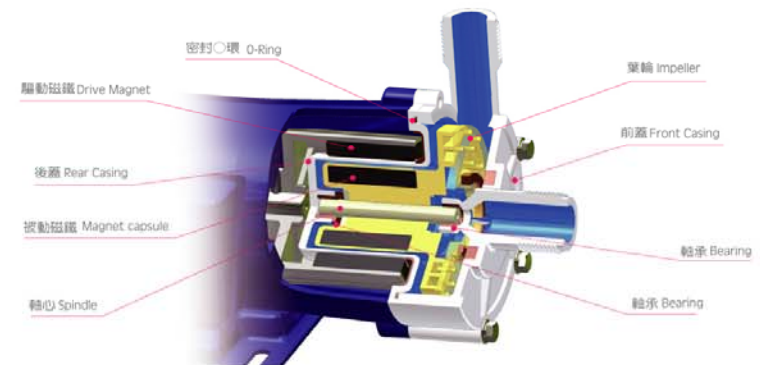
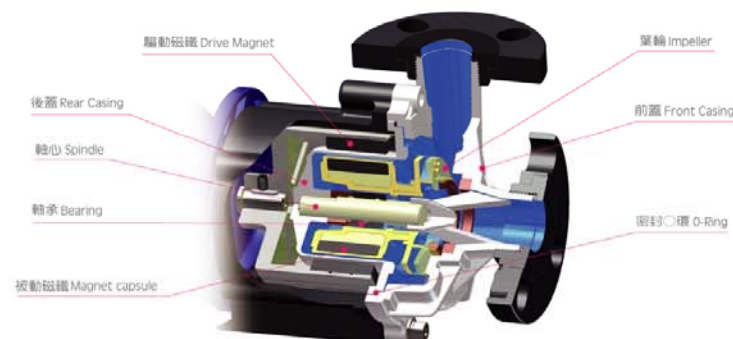
DRIVE MAGNET:

The drive magnet is mounted on the motor shaft. It's powerful magnetism combined with the magnet capsule on the impeller produce a coupled torque for driving impeller running.

MOTOR:

The motor used on the MP(45W~260W) / MPX(180W~260W) series pump features over-heat protection. The MPX(0.37Kw~2.2Kw) / MPH(0.37Kw~3.75Kw) series pump employs TEFC indoor type motor. Upon request, an explosion-proof motor is available.

MPX/MPH/MP SERIES





磁力驅動泵浦 MAGNETIC DRIVE PUMP MPX/MPH/MP SERIES

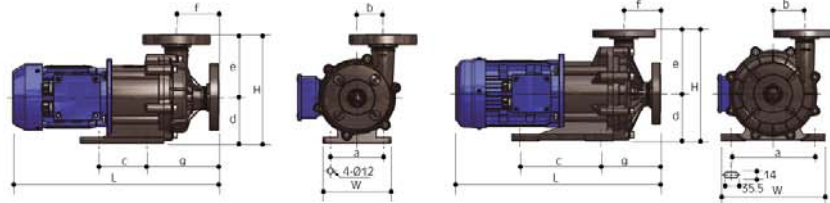
外觀尺寸圖 DIMENSIONS

MPX/MPH SERIES

外觀尺寸圖 DIMENSIONS

MPX-250 / MPX-251 / MPX-440 / MPX-441

MPX-452 / MPX-453

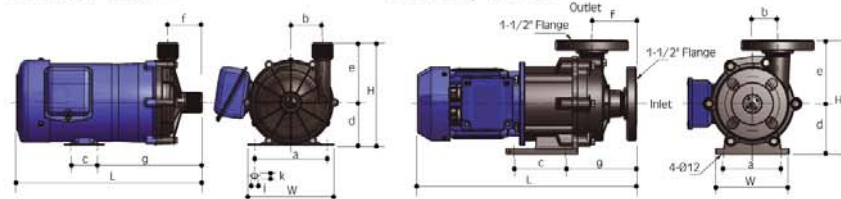


型號 Model	W	H	L	a	b	c	d	e	f	g
MPX-250	160	258	426	129	65	131	117	140	90	154
MPX-251	159.5	255	466	130	65	131	114	140	90	171
MPX-440	140	226.5	426	110	54	99	96	130.5	87.5	149
MPX-441	159.5	255	480	130	71	131	114	140	104.5	185

型號 Model	W	H	L	a	b	c	d	e	f	g
MPX-452	260	280	513	209.5	80	202.5	120	160	92	150
MPX-453	260	280	513	209.5	80	202.5	120	160	92	150

MPX-257 / MPX-258

MPH-440 / MPH-441



型號 Model	W	H	L	a	b	c	d	e	f	g	l	k
MPX-257	130	155	280.5	110	48	40	65	90	52	158.5	10	7
MPX-258	156	178	334.5	110	52	70	76.5	101.5	63	160.5	27	9

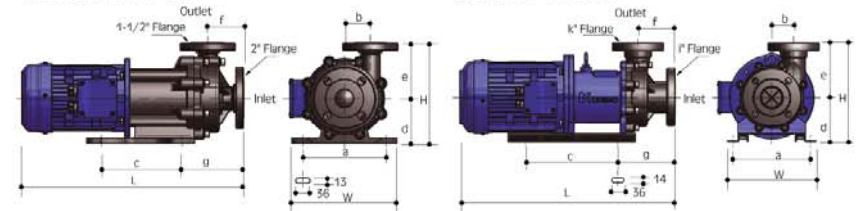
型號 Model	W	H	L	a	b	c	d	e	f	g
MPH-440	140	217	418.5	110	48.5	99	96	121	85.5	135.5
MPH-441	161	255	528	132	55	130.5	116	139	105.5	176

MPH/MP SERIES

外觀尺寸圖 DIMENSIONS

MPH-452 / MPH-453

MPH-455 / MPH-565

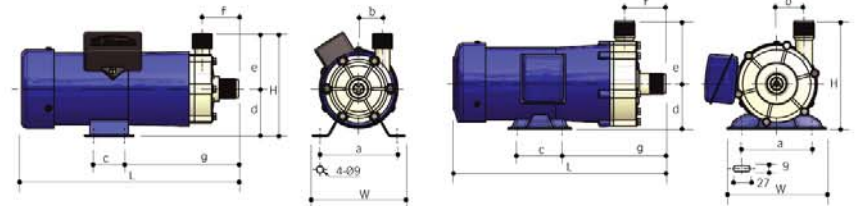


型號 Model	W	H	L	a	b	c	d	e	f	g
MPH-452	263	255	557	208.5	65	202	116	139	90	155
MPH-453	263	255	557	208.5	65	202	116	139	90	155

型號 Model	W	H	L	a	b	c	d	e	f	g	l	k
MPH-455	264	274.5	620	230	65	275	135.5	139	90	149	2	1-1/2
MPH-565	264	297.5	641.5	230	65	275	135.5	162	111	170.5	2-1/2	2

MP-203 / MP-204

MP-255 / MP-257 / MP-258



型號 Model	W	H	L	a	b	c	d	e	f	g
MP-203	120	133.5	282	100	31	40	62	71.5	47	148
MP-204	120	133.5	282	100	31	40	62	71.5	47	148

型號 Model	W	H	L	a	b	c	d	e	f	g
MP-255	120	155	301.5	100	43	40	65	90	62	180
MP-257	130	157	278	110	42	40	68	89	51	155
MP-258	156	170	334	110	43	70	71	99	64.5	163